

Webelos Handyman Activity Badge

Technology Group

A handyman knows about home, bicycle and automobile repairs and maintenance. In learning to be a handyman, Webelos Scouts can learn responsibility to take care of the things that their family has now and the things that they may own in the future.

IDEAS FOR DEN ACTIVITIES

- Teach your den the safe way to change a tire, a light bulb and to check the oil on a car.
- Check the garage or storage shed in your house to see if the tools or implements are properly and safely stored.
- Register your bicycle if your city registers bicycles.
- Have a bike inspection.
- Go to a bike shop and have an expert demonstrate different types of bikes and show how to take care of a bike.
- Have a nail driving contest.
- Have a handyman relay.

REMEMBER

Teach the importance of safety as we maintain and repair homes, automobiles, bicycles and tools. That is one of the reasons we maintain equipment - for safety. Many of the things that these Webelos Scouts will need to learn to do will need to be done with an adult.

ACTIVITIES

GOOD TURN – CAR WASH DAY

Have a den family car wash day. Invite parents from the den or pack to bring their cars by for a free car wash for the Webelos Scouts to practice their skills.

WHAT'S IN THE BAG?

Equipment: Eight bags, eight different tools that will fit in bags (be careful with anything sharp), pencil and paper for each Webelos Scout.

Place eight objects in the eight bags and label the bags with the letters H, A, N, D, Y, M, A, N. Fasten the bags shut.

Give each boy a paper and pencil, let each feel the bags and try to guess by feeling what tool is in each bag.

The boy with the most right guesses is the winner.

HANDYMAN RELAY

Have other adults help you with the different stations for this relay. Time the boys, but emphasize that safety counts more than speed.

#1 Check oil level in a car. Place clean rag on car hood, have boys open hood, check oil, close hood, tell the result, and place rag in box.

#2 Check tire pressure. Have the boy open the front car door, take pressure gauge out of glove box, find correct pressure on tire or car door, close door, take tire pressure, tell result, open car door, replace gauge in glove box, close door.

#3 Adjust seat on bicycle. Have bike seat too high. Have Scout choose from three different tools the one he needs to loosen the saddle clamp bolt. Have him wiggle saddle until it is at a proper height for him. Then he tightens the clamp bolt and returns the stool. (Adult will have to quickly set the seat too high for the next boy.)

Webelos Handyman Activity Badge

#4 Replace a light bulb in a lamp. Have a lamp set up at a station with an old burned-out light bulb. Have boy unplug lamp, screw out bulb, place bulb gently in paper sack, look at lamp socket for proper wattage, choose correct wattage bulb from assorted new bulbs, screw new bulb into socket, plug in lamp, turn on lamp, and turn off lamp. (Adult will have to put the burned-out bulb back in for the next Scout.)

#5 Mark and properly store hand tools. Have a peg board, tool box, or piece of poster board with the outlines of the tools drawn on it. Set out several hand tools in a pile. Have boys use some red plastic tape to wrap around handle of a tool that hasn't been marked yet. Then he sorts the tools and places them neatly in their proper storage place.

BICYCLE SAFETY AND MAINTENANCE HINTS:

Frame

Watch for cracking of paint, which usually indicates a break in the metal frame. If a crack is apparent, have it brazed, welded, or repaired immediately.

Chain

Keep it clean by washing it occasionally and removing grit and dirt. Oil and adjust properly to prevent it from coming off the sprockets. Light oil is best for lubricating.

Wheel Bearings

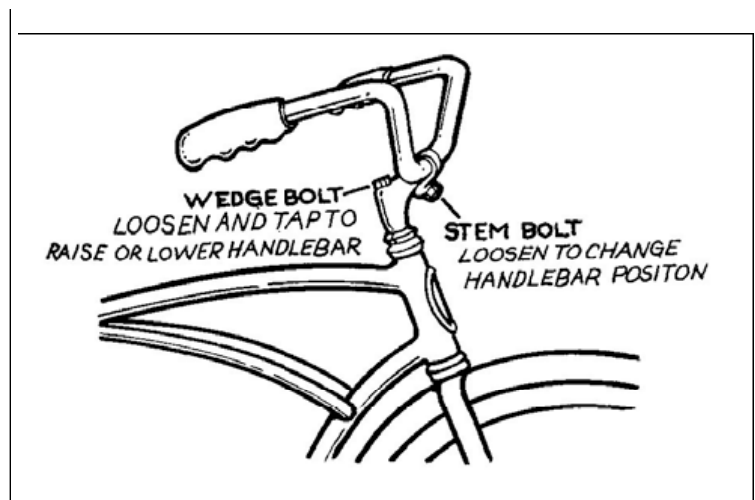
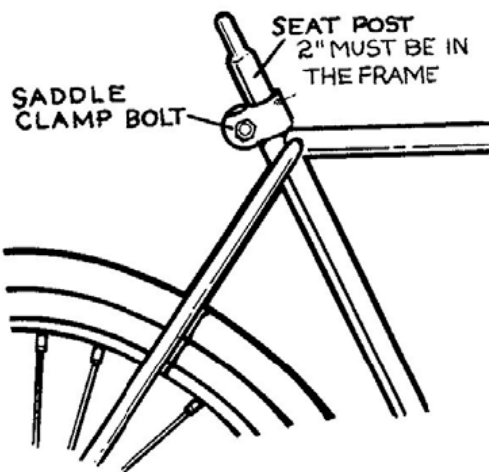
To clean, loosen the cones and wash carefully with cleaning solvent, rolling them in the liquid until clean. Dry thoroughly, re-adjust the cones, and re-park with bearing grease.

Handle Grips

Handle grips could cause you to take a "nose dive" if not fastened tightly. If necessary, glue them on to avoid slipping.

Headlights and Reflectors

Keep these clean and, if you must ride at night, lighted. Motorists depend on you to have and use this equipment.



BUILDING A STOOL

Materials: Three pieces of 5/8" wood and two pieces 3/4" wood

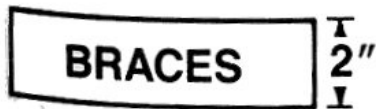
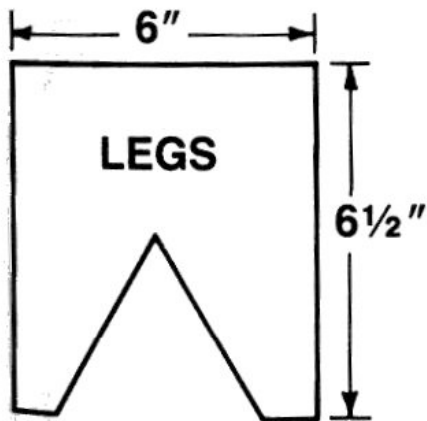
Cut the top of the stool from 5/8" wood. For the legs, clamp two pieces of 3/4" wood together and saw them out. This will make the legs exactly the same, so the stool won't wobble.

Cut the braces from 5/8" wood. Nail the stool together with finishing nails. Measure carefully before you drive the top nails into the legs to make sure they go into the legs.

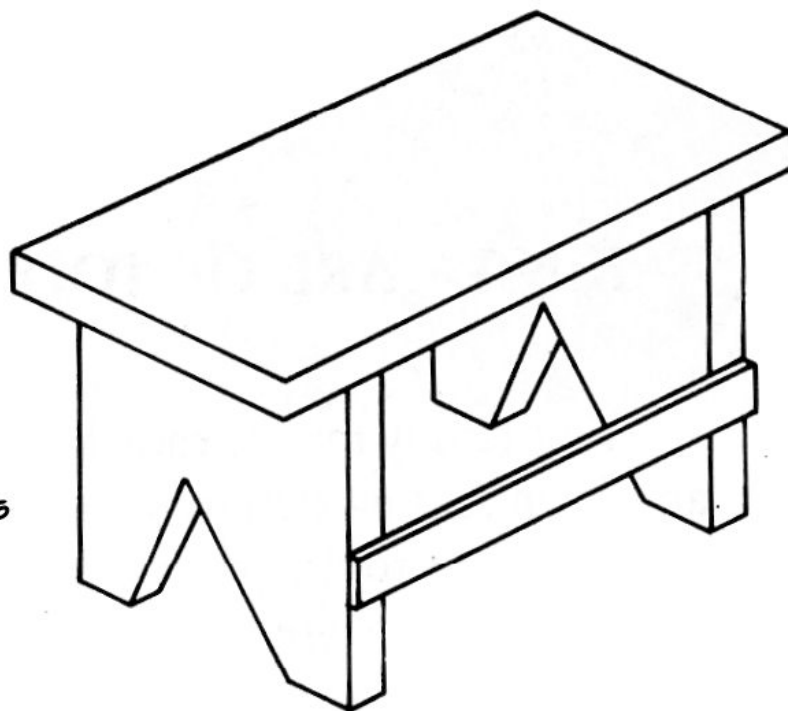
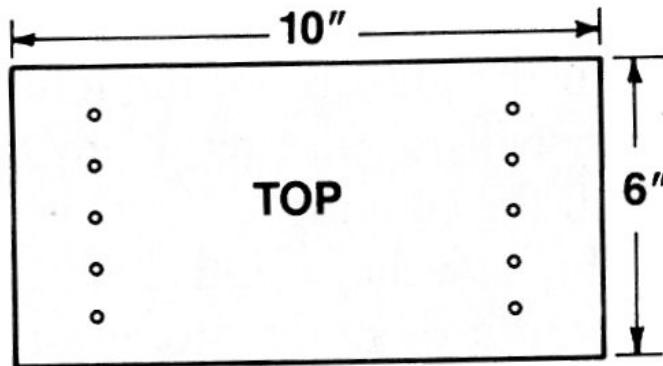
Countersink the top nails by using another nail to tap them just below the surface. Fill the nail holes with wood putty.

Sand the stool all over, and paint it a color you like.

Legs are nailed,
to top, 2" in
from each end.



Cut braces to fit after legs
are nailed to top. They will
be about 6" long.



More on the Handyman Activity Badge

Handyman is one of the easiest and most flexible activities in the Webelos program. There are fourteen requirements from which the den can choose a minimum of six. These can be selected on the basis of aptitude and availability. Also, the activity can be worked for the month allocated in the Webelos calendar, or it can be done in fewer meetings, if the den meetings are prepared and organized. Some of the requirements can be used for den meeting fillers, if you exhaust a topic early or some of the resources you need for another activity are unavailable.

However, though Handyman is an easy topic, the den leader should handle it with care and thoroughness. Handyman allows the Scout to learn new skills and gain self-reliance and confidence in helping with activities around the house. There are also several safety and environmental issues inherent to several of the requirements.

Den Activities:

- At a hardware store, visit the repair shop, and acquaint the Scouts with a few specific and varied sections in the store, like electrical supplies and hand tools.
- Arrange a presentation at a well equipped home workshop.
- Build a sawhorse.
- Arrange for a local mechanic to visit your den or visit his garage, perhaps he can show your den the safe way to change a tire, light bulb and to check the oil and transmission fluid.
- Put on a bicycle rodeo for your pack or den.
- Check with the local fire marshal or poison control center to find out how to store household cleaners and materials that will be safe from small children.
- Check the garage or storage shed in your house to ascertain the tools or implements are properly and safely stored.
- Have a clinic on the care and repair of bicycles. Set it up like a shop and have each boy bring his bike and do repairs, etc.
- Have Webelos bring tools to a den meeting and demonstrate different ways to mark them.
- Hold a nail hammering contest. See who can hammer a nail in the fewest number of strokes.
- Have a family car inspection.

Speakers

Carpenter, electrician, plumber, car mechanic

Field Trips:

- Visit a local bicycle shop and talk with the mechanic to see if he will show you how to do a safety check upon your bike and perform minor adjustments.
- Visit an auto dealership.
- Arrange a visit to a service station, auto repair shop or your local tire store, Have the attendant explain the use of different types of equipment Hijack torque wrench, etc. If possible have the attendant show them how to check oil level, check fluids and belts, check tire pressure, and change light bulbs. Organize a pack bicycle rodeo. See Cub Scout sports Bicycling Manual for details.
- Visit a lumber yard, hardware store, or bicycle shop.

Activities

How to Fix a Leaking Faucet

1. A leaking faucet is usually due to a defective washer and is a problem that can easily and quickly be resolved.
2. Shut off the water! If there isn't a valve under or near the sink, turn off the main supply valve.
3. Unscrew cap nut of faucet.
4. Using a flat wrench, unscrew nut on faucet and pull out stem assembly. (Cloth or cardboard under wrench jaws prevents scratching.) Remove screw on stem assembly, pry out old, worn washer, wipe out grime and put in same size new washer.
5. Replace screw and reassemble faucet. Turn water on.

Clean a Drain Trap

A drain trap is a U shaped piece of pipe in a sink drain that gives a low spot to hold water. Drain traps keep gas from the sewer from coming into the house. Sometimes it clogs up and it must be taken off and cleaned out.

To clean a trap, first put down plastic sheeting or newspaper below the trap. The trap is full of water, so protect the area beneath the sink from spills. Use a pan to catch the water. Use a large pipe wrench to loosen

Webelos Handyman Activity Badge

the two screw collars that hold the trap. They have right-hand threads, which means that you turn them clockwise (the way a clock's hands move) to tighten them. You will need to turn them the other way (counterclockwise) to unscrew them. They may be tight to start with, so you will need help from an adult with this job. After each collar has been unscrewed two or three turns with the wrench, you can probably unscrew them the rest of the way by hand.

When both collars are loosened, you can lift out the trap. Be careful; it is full of water, soap scum, and other trapped things that you won't want to spill. First, unscrew one collar and hold the trap with one hand while you unscrew the second collar by hand, so it won't fall off when the collar loosens.

Carefully place the trap in the pan so it won't spill. Carry it to where you can to dump it. The water can be poured into another drain, but the sludge and solid waste should go in the trash. Flush the trap outdoors with a hose.

Reverse the steps to replace the trap. Turn both collars at least two turns by hand to make sure the threads are matched up, then make them as tight as you can with the pipe wrench. An adult should do the final tightening job to make the joints as leak-proof as possible. Run some water in the sink to check for leaks. If you see any drips, tighten the screw collars more, or remove the trap and replace the rubber seals before putting it back.

Take Care of Your Bicycle

Create a checklist you review every time you before you begin to ride, Items to always check include:

| | |
|--------------|------------------|
| brakes _____ | chain _____ |
| pedals _____ | reflectors _____ |
| spokes _____ | tires _____ |
| seat _____ | lights _____ |

Make sure you keep your chain well-lubricated and the tires inflated properly.

Visit a bicycle shop. Learn about the different kinds of bikes. Ask about bike maintenance. At your den meeting, take apart an old bike then put it back together.

Changing a Light Bulb

Make sure you do not have power going to the light fixture, by unplugging a plug or make sure the wall switch is turned off. Replace the bulb with the correct wattage for the fixture or the bulb will burn out quicker.

Handyman Day

Have all the boys wash parents' cars and with the help of an adult, check the oil and any other fluids in the car. Have the boys check their bicycles.

SUGGESTED PATROL ACTIVITIES

The Handyman Activity Badge is designed to help teach the Webelos about home and automobile repairs and maintenance. This is a good opportunity to instill responsibility on how to care for their most expensive future purchases.

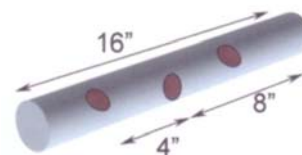
1. With proper adult supervision, wash a car.
2. Help an adult change a tire on a car.
3. Replace a bulb in the taillight, turn signal, parking light, or headlight on a car.
4. Visit a bike repair shop and learn how to repair a bike tire. Make a repair to a bicycle, such as tightening the chain, fixing a flat tire, or adjusting the saddle or handlebars.
5. Properly lubricate the chain and crank on a bicycle.
6. Properly inflate the tires on a bicycle.
7. Visit a lawnmower repair shop and see how engines are repaired.

Webelos Handyman Activity Badge

8. Arrange a storage area for household cleaners and materials, safe for small children.
9. Mow a lawn and properly rake and dispose of the grass clippings.
10. Arrange a storage area for hand tools or lawn and garden tools.
11. Build a sawhorse or stool to be used around the home.
12. Visit an auto repair shop. Learn about tread indicators on tires.
13. Insulate each home's water heater.
14. Check with your church to see if there is an elderly or disabled person in the area. Do a service project for this person, by mowing and trimming their yard.

SIMPLE THREE-LEGGED STOOL

Three-legged stools have the ability to stand without wobbling regardless of how unevenly the legs are cut. For this project, with permission, obtain a 4" diameter oak limb. Perhaps the ranger at your Scout camp has some limbs from forestry work being done at camp or a neighbor has had some tree work done. Saw it to 16" lengths. Strip the bark and branches. Buy a four foot length of 1" diameter doweling or a similar rounded piece of wood like a broomstick, and cut this stick into three 16" sections. With a drill bit the same diameter as the sticks, drill a 2"-deep hole in the exact middle of the side of the limb (be sure to drill toward the center of the limb). Now turn the limb a quarter turn, and drill two more holes, each 4 inches on either side of the middle of the limb. Coat each hole with wood glue and hammer the three sticks into the holes. Stand the stool on its new legs and let the glue dry.



TOOL BOARD

Screw a 18" x 20" pegboard to a 20" x 24" piece of $\frac{1}{2}$ " plywood using $\frac{3}{8}$ " spacers between to create a space for the hooks. Use a paint pen to draw outlines of where each tool is to be hung on the board. Attach directly to garage wall.

For nails, nuts, bolts, etc

Place each in separate small jars. For each jar, put two hooks in pegboard on either side of the jar. Stretch a rubber band between the hooks and slip the jar between the rubber band. (or buy jar and lids that have hooks attached)

DRILL BIT HOLDER

Use a 7" piece of 2" x 4" wood. Drill two rows of holes, about one inch apart, for a total of twelve holes. Insert drill bits upright in the holes.

BICYCLE HANDYMAN IDEAS

Have the boys bring their bikes to a patrol meeting at a local park. Do requirements 5, 6, and 7. Then go for a bike ride to help earn the Bicycling Belt Loop.

- Have the boys help plan a mini bike rodeo for a park meeting where all the Cub Scouts are invited to bring their own bikes. Webelos Scouts can set up a "safety station," where they check the condition of safety equipment on the bikes and go over safety tips with the younger boys. Ask a local bike dealer if someone can come and help with the safety check. Contact the police department to see if someone can come to register bikes in case of theft. In some areas, the police department will run a bike rodeo and safety program for you if the entire pack is involved.
- Ride to the neighborhood park and have a picnic.
- Go to a bike shop and have an expert demonstrate different bike types and show how to take care of them.

HANDYMAN HINTS

- Place Dad's old sock over shoes when painting.
- For plugged drains, mix 1-cup salt and 1-cup baking soda and pour down drain. Follow with kettle of boiling water.
- To seal a tiny leak in a plastic garden hose, touch the hole lightly with the tip of a Phillips head screwdriver that has been heated over a flame. The plastic will melt enough to plug the hole.
- Weeding is less tedious with the right tool. A claw hammer will pull out weeds by the clump. An apple corer is also an excellent weeder - it doesn't disturb the roots of adjacent plants

TOOL CADDY

A neat carrier for garden tools is an old golf bag. It's got pockets for tools, even a place to hang a towel, and you can whisk it along on its built-in wheels. Just roll it in the garage until you need it again.

GARDEN TOOL FIRST AID

Garden tools stow quickly and stay dry in a pail filled with sand. Mix sand with a little oil to keep the tools from rusting and to keep their edges sharp. If garden tools have rusted, clean them with a cork dipped in scouring cleaner.

STICK WITH WICKETS

Thread your garden hose through croquet wickets to keep it from running over your flowers.

IN THE BAG

An easy yard clean-up carrier is an old TV tray table. Remove the tray, and then hang a plastic garbage bag on the open framework between the legs.

OFF THE WALL

Prune shrubbery and trees to keep them from touching the house. The leaves retain moisture, which causes the paint to blister and peel.

FLOWER BOX SPLATTER CONTROL

Keep rain from splattering dirt out of your window box onto your window by placing a layer of gravel on top. The gravel will also keep the soil from drying out.

UNDER COVER

Paint the under side of your metal garbage can lid with rustproof paint so condensation from wet garbage won't damage the paint on the lid.

STORAGE BOX

Paint a design on a discarded mailbox. Use it to store barbecue supplies, paper cups, and plastic utensils

Games

HANDYMAN KIM's GAME

Divide the patrol into two teams. Have two laundry bags of household items at the front of the teams. Place an empty grocery sack at the end. Begin by having the first boy pull out one item and pass it on. When the item is deposited into the grocery sack, the end boy yells, "Next." Continue until all items are passed. Let the boys think that the object of the game is to be the first to empty their laundry bag and fill the grocery sack.

Webelos Handyman Activity Badge

Take the bags away and give each boy a piece of paper. They have two minutes to write down what objects they remember passing.

NAIL HAMMERING CONTEST

Divide into teams, each with a similar log, and hand each boy a nail. As a relay, the first team to complete hammering their nails into their log wins.

Songs

POUND, POUND, POUND THAT NAIL

Tune: Row, Row, Row Your Boat

Pound, pound, pound your nail
Pound it right on through!
If you miss and pound your thumb,
Then it will turn bright blue.

TOOLBOX SONG

Tune: I'm a Little Teapot

I'm a pair of pliers just because
Here is my handle here are my jaws

CHORUS:

Keep me in your toolbox bright and new
Take me out and I'll work for you.

I'm a coping saw that's strung too tight
Pull me then push me to use me right.

CHORUS

I'm a big strong hammer, a mighty tool.
Hit the nails only, that's the rule.

CHORUS

I'm a happy C-clamp; tell you what I do,
I eat board sandwiches filled with glue.

CHORUS

I'm a handy wood plane, give me a try.
I can help you out if your door's too high

CHORUS